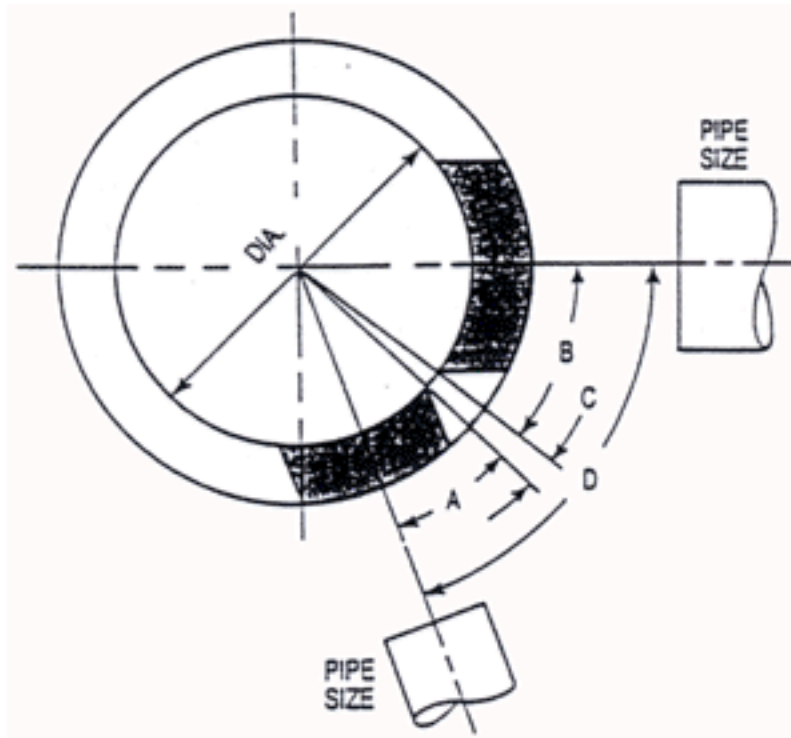


Pipe Layout Chart For Round Structures



PIPE OPENING HALF ANGLES (IN DEGREES)													
								90.00	120"				
								71.81	114"				
								64.16	108"				
								58.21	102"				
								73.40	50.06	92"			
					90.00	61.04	44.43	44.43	84"	PIPE			
					68.21	54.34	40.54	40.54	78"				
					90.00	59.00	48.59	36.87	72"	OPENING			
					66.44	51.79	43.43	33.37	66"				
					90.00	56.44	45.58	38.68	30.00	DIA.			
					71.80	52.34	42.73	36.42	28.36				
					64.16	48.59	40.01	34.23	26.74	(IN.)			
					90.00	53.13	41.81	34.85	30.00	23.58			
					90	61.04	44.43	35.69	30.00	25.94	20.49	42"	
					90	59	48.59	36.87	30.00	25.38	22.02	17.45	36"
					56.44	45.58	38.68	30.00	24.62	20.92	18.21	14.48	30"
					48.59	40	34.23	26.74	22.02	18.75	16.33	13.00	27"
					41.81	34.85	30.00	23.58	19.47	16.60	14.48	11.54	24"
					33.75	28.43	24.62	19.47	16.13	13.77	12.02	9.59	20"
					26.39	22.39	19.47	15.47	12.84	10.98	9.59	7.66	16"
					22.89	19.47	16.96	13.49	11.21	9.59	8.39	6.70	14"
					19.47	16.6	14.48	11.54	9.59	8.21	7.18	5.74	12"
					36"	42"	48"	60"	72"	84"	96"	120"	STRUCT DIA (IN)
					9.54	8.18	7.14	5.72	4.77	4.09	3.58	3.58	"C" MIN. SEP.
													(degrees)

Pipe Layout Chart For Round Structures *Continued*

EXAMPLE: WILL A 72" STRUCTURE
ACCOMMODATE:

24" RCP

30" RCP

80 DEG. INCLUDED ANGLE (D)

PROCEDURE TO FIND THE MIN. ALLOWABLE
ANGLE BETWEEN PIPES:

1. FIND THE PIPE OPENING DIA. (PREVIOUS TABLE)

24" RCP = 36" DIA. HOLE

30" RCP = 42" DIA. HOLE

2. FIND THE PIPE OPENING HALF ANGLES FOR A
72" STRUCTURE IN THE CHART BELOW:

A = 36" DIA. HOLE = 30.00 degrees

B = 42" DIA. HOLE = 35.69 degrees

C = MIN. SEPARATION = 4.77 degrees

D_{min} = MIN. ALLOWABLE ANGLE = 70.46 degrees
BETWEEN GIVEN PIPES

3. D_{min} IS LESS THAN THE INCLUDED ANGLE OF 80
DEGREES. THEREFORE A 72" STRUCTURE WILL
ACCOMMODATE THE PIPES.

U.S. CONCRETE PRODUCTS
Manufacturers of Custom Precast Concrete Structures



1878 NW 21st Street, Pompano Beach, FL 33069
Phone: 954.973.0368 • Fax: 954.973.0394